

ADDENDUM NO. 1
OCTOBER 29, 2018
ERIE INTERNATIONAL AIRPORT
SECURITY FENCE UPGRADE

The following revisions, corrections, and/or additions are hereby made to the Contract Documents for the above referenced projects. The Prospective Bidder, for his/her own information, should note the following revisions, corrections, and/or additions on the contract Documents now in his/her possession.

Prospective Bidders shall attach one copy of this Addendum Signature Sheet to the Contract Documents in their possession, and return the other copy, receipted, with their bid submission. Upon receipt, a signed copy shall also be e-mailed to Ms. Kim Scharrer at kscharrer@erieairport.org.com.

Prospective Bidders shall also acknowledge receipt of Addenda in the space provided in Section 5) of the Form of Bid.

I (or We), hereby acknowledge receipt of Addendum No.1 and that it forms a part of the Contract Documents and will be governed accordingly.

Name of Firm: _____

By: _____
Signature

Date: _____

Title: _____

As a prospective bidder, note the following revisions to the Contract Documents for the captioned project: (Addendum information attached.)

ADDENDUM NO. 1
OCTOBER 29, 2018
ERIE INTERNATIONAL AIRPORT
SECURITY FENCE UPGRADE

As a prospective bidder, note the following revisions to the Invitation to Bid for “Security Fence Upgrade”:

I. REVISIONS TO THE PROJECT MANUAL:

1. DELETE the Bid Schedule in its entirety and REPLACE with the attached Bid Schedule.

II. REVISIONS TO TECHNICAL SPECIFICATIONS:

1. MC-002
Paragraph 002-5.3: Delete the first sentence in its entirety and replace with “All employees working in the AOA shall be required to display the appropriate badging.”

Paragraph 002-7.1: Delete the first sentence in its entirety and replace with “Any work to be done within the operational area of a taxiway or runway must be done as directed by the Owner.”

Paragraph 002-7.3: Delete “as shown on Phasing Plans or” from the first sentence.
2. MC-003
DELETE in its entirety and replace with the attached MC-003.
3. F-161
DELTE in its entirety.
4. F-162
Incorporate the attached F-162 specification into the Technical Specifications.
5. Sketches
Incorporate the attached sketches into the Technical Specifications.

III. QUESTIONS

1. Tension wire. Are we supposed to install tension wire only where we are replacing fence, or do we need new tension wire even in the places where we just installing barbed wire?

Response: Top and bottom tension wire shall be installed on new fence section. Top tension wire shall be installed on existing fence where barbed wire is being placed.

2. Copper clad ground rod. Do we need to install it only where we are installing new fence or also where we replace existing posts? Also, will you require electrician to do it?

Response: Ground rods only need to be installed at new fence as indicated on the fence details (2 each, 1 at either end). The installation of the ground rods needs to be performed by an Electrical Contractor/Electrician that is qualified to install ground rods and meet the requirements as set forth in the specifications.

3. Do we need to replace concrete in places where we are replacing fence posts?

Response: Yes, new fence posts shall be installed in new concrete post foundation.

4. We have a hard time finding brackets for barbed wire for square posts. Are we allowed to use round ones?

Response: Round brackets may be allowed if the arms are able to be installed in such a manner that they are secure, tight fitting, and hold the barbed wire in place.

END OF ADDENDUM NO. 1

**Erie International Airport Tom Ridge Field
Security Fence Upgrade Project
Bid Schedule**

Item	Description	Unit	Quantity	Unit Price in Figures	Unit Price Written	Total
MC-003-5.1	Mobilization	LS	1			
F-162-5.1	Chain Link Fence	LF	360			
F-162-5.2	Addition of Barbed Wire to Existing Fence	LF	9,350			
F-162-5.3	Replace Fence Posts	EA	30			
F-162-5.4	Clearing	LS	1			

**Erie International Airport Tom Ridge Field
Security Fence Upgrade Project
Bid Schedule Summary**

Bid	Total Cost in Figures	Total Cost Written
Security Fence Upgrade Project		

In case of a conflict between written amounts and numbered amounts, written amounts govern.

Contractor Name: _____

Signature of Contractor's Authorized Representative: _____

Title: _____

Contractor's Address: _____

Contractor's Phone: _____

Contractor's Fax: _____

EIN #: _____

ITEM MC-003 MOBILIZATION DESCRIPTION

003-1.1 GENERAL. This work shall consist of the preparatory work and operations for the assembling and setting up necessary for the project, storage areas, moving in of personnel and equipment, incidentals to the project site, and any other facilities, as required by the specifications and special requirements of the contract, as well as by local, state, or Federal law and regulation. This item shall also include the demobilization and restoration of the staging areas to their original conditions.

MATERIALS

003-2.1 GENERAL. The Contractor shall furnish all materials and furnishings required for this item. These materials and furnishings will not be considered as a part of the various items of the completed contract.

Equipment to be used for artificial or temporary lighting (power and wiring) for work during hours of darkness shall be supplied as part of this item.

003-2.2 POSTED NOTICES. Prior to the commencement of construction activities the Contractor must post the following documents in a prominent and accessible place where they may be easily viewed by all employees of the prime Contractor and by all employees of subcontractors engaged by the prime Contractor: Equal Employment Opportunity (EEO) Poster “Equal Employment Opportunity is the Law” in accordance with the Office of Federal Contract Compliance Programs Executive Order 11246, as amended; Davis Bacon Wage Poster (WH 1321) – DOL “Notice to All Employees” Poster; and Applicable Davis-Bacon Wage Rate Determination. These notices must remain posted until final acceptance of the work by the Owner.

003-2.3 PERMITS. The Contractor shall be responsible to obtain all appropriate permits for all field/project offices within this project. These permits may include but are not limited to, electrical, sanitary, potable water, fence, hydrant, and building. This item also includes OSHA required notices and establishment of safety programs.

003-2.4 STAGING AREA. This item includes all items associated with the establishment of the contractor’s staging area including material lay down area. No separate payment will be made for staging area stabilization and protection necessary to meet OSHA regulatory requirements.

The contractor staging area shall be restored to its existing/pre-construction condition at the completion of the project at no additional cost to the Owner.

003-2.5 INCIDENTALS. Items as described in the General Provisions of the contract documents such as shop drawing submittal samples, and project site sign, etc. shall be incidental to the Mobilization pay item.

003-2.6 CONSTRUCTION/ AS-BUILT SURVEYS. NOT REQUIRED.

CONSTRUCTION METHODS

003-3.1 The Contractor shall provide all tools, equipment, materials, labor and work for the construction and furnishings of the required facilities and services. All work under this item shall be performed in a safe and workmanlike manner.

METHOD OF MEASUREMENT

003-4.1 Work performance under this item shall be measured on a per lump sum, acceptably performed.

BASIS OF PAYMENT

003-5.1 Payment will be made at the contract lump sum price bid which shall be full compensation for performing the work specified and the furnishing of all materials, labor, tools, equipment and incidentals necessary to mobilize and subsequently demobilize the construction preparatory items.

003-5.2 Payment for this item will be made in 3 installments. The first payment of 25 percent of the amount bid for mobilization but not more than 4 percent of the contract amount, excluding mobilization, will be made on the first estimate following the partial mobilization and initiation of construction work. The second payment of 50 percent of the amount bid for mobilization but not more than 4 percent of the contract amount, excluding mobilization, will be made on the first estimate following commencement of construction and completion of substantial mobilization. The third payment will consist of the remaining amount. The third and final payment will be made after demobilization has been completed and the site has been cleared to the satisfaction of the Owner

Payment will be made under:

Item MC-003-5.1 Mobilization – per lump sum

END OF ITEM MC-003

Item F-162 Chain-Link Fence

DESCRIPTION

162-1.1 This item shall consist of furnishing and erecting a chain-link fence in accordance with these specifications and attached sketch.

MATERIALS

162-2.1 Fabric. The fabric shall be woven with a 9-gauge galvanized steel ASTM A392, Class 2.

162-2.2 Barbed wire. Barbed wire shall be 2-strand 12-1/2 gauge zinc-coated wire with 4-point barbs and shall conform to the requirements of ASTM A121, Class 3.

162-2.3 Posts, rails, and braces. Line posts, rails, and braces shall conform to the requirements of ASTM F1043 or ASTM F1083 as follows:

Galvanized tubular steel pipe shall conform to the requirements of Group IA, (Schedule 40) coatings conforming to Type A, or Group IC (High Strength Pipe), External coating Type B, and internal coating Type B or D.

The dimensions of the posts, rails, and braces shall be in accordance with Tables I through VI of Federal Specification RR-F-191/3.

162-2.4 Gates. NOT USED.

162-2.5 Wire ties and tension wires. Wire ties for use in conjunction with a given type of fabric shall be of the same material and coating weight identified with the fabric type. Tension wire shall be 7-gauge marcelled steel wire with the same coating as the fabric type and shall conform to ASTM A824.

All material shall conform to Federal Specification RR-F-191/4.

162-2.6 Miscellaneous fittings and hardware. Miscellaneous steel fittings and hardware for use with zinc-coated steel fabric shall be of commercial grade steel or better quality, wrought or cast as appropriate to the article, and sufficient in strength to provide a balanced design when used in conjunction with fabric posts, and wires of the quality specified herein. All steel fittings and hardware shall be protected with a zinc coating applied in conformance with ASTM A153. Barbed wire support arms shall withstand a load of 250 pounds applied vertically to the outermost end of the arm.

162-2.7 Concrete. Concrete shall be of a commercial grade with a minimum 28-day compressive strength of 2500 psi.

162-2.8 Marking. Each roll of fabric shall carry a tag showing the kind of base metal (steel, aluminum, or aluminum alloy number), kind of coating, the gauge of the wire, the length of fencing in the roll, and the name of the manufacturer. Posts, wire, and other fittings shall be identified as to manufacturer, kind of base metal (steel, aluminum, or aluminum alloy number), and kind of coating.

CONSTRUCTION METHODS

162-3.1 Clearing fence line. Existing fence line should be generally clear of vegetation however there may be areas that require clearing. Contractor shall clear vegetation that impedes the installation of the barbed wire on existing fence or new fencing as directed by the Owner.

162-3.2 Installing posts. All posts shall be set in concrete at the required dimension and depth and at the spacing shown on the attached sketch.

The concrete shall be thoroughly compacted around the posts by tamping or vibrating and shall have a smooth finish slightly higher than the ground and sloped to drain away from the posts. All posts shall be set plumb and to the required grade and alignment. No materials shall be installed on the posts, nor shall the posts be disturbed in any manner within seven (7) days after the individual post footing is completed.

Should rock be encountered at a depth less than the planned footing depth, a hole 2 inches larger than the greatest dimension of the posts shall be drilled to a depth of 12 inches. After the posts are set, the remainder of the drilled hole shall be filled with grout, composed of one part Portland cement and two parts mortar sand. Any remaining space above the rock shall be filled with concrete in the manner described above.

In lieu of drilling, the rock may be excavated to the required footing depth. No extra compensation shall be made for rock excavation.

Existing fence posts shall be removed in area that new fence is to be installed.

Existing fence posts that are to be replaced may be removed or cut flush with grade with no sharp edges remaining. If existing fence post is left in place, the new post will be installed next to the existing post.

Where existing fence posts are removed and same location is not used for new post, the hole left by the removed post and foundation shall be backfilled and thoroughly compacted to a smooth finish and seeded as described in Paragraph 162-3.7.

162-3.3 Installing top rails. The top rail shall be continuous and shall pass through the post tops. The coupling used to join the top rail lengths shall allow for expansion.

162-3.4 Installing braces. Horizontal brace rails, with diagonal truss rods and turnbuckles, shall be installed at all terminal posts.

162-3.5 Installing fabric. The wire fabric shall be firmly attached to the posts and braced per attached sketch. All wire shall be stretched taut and shall be installed to the required elevations. The fence shall generally follow the contour of the ground, with the bottom of the fence fabric no less than one inch or more than 4 inches from the ground surface

162-3.6 Electrical grounds. Electrical grounds shall be constructed as shown on attached sketches. The ground shall be accomplished with a copper clad rod 8 feet long and a minimum of 5/8 inches in diameter driven vertically until the top is 6 inches below the ground surface. A No. 6 solid copper conductor shall be clamped to the rod and to the fence in such a manner that each element of the fence is grounded. Installation of ground rods shall not constitute a pay item and shall be considered incidental to fence construction. The Contractor shall comply with FAA-STD-019, Lightning and Surge Protection, Grounding, Bonding and Shielding Requirements for Facilities and Electronic Equipment, Paragraph 4.2.3.8, Lightning Protection for Fences and Gates, when fencing is adjacent to FAA facilities.

162-3.7 Cleaning up. The Contractor shall remove from the vicinity of the completed work all tools, buildings, equipment, etc., used during construction. Any ruts in grass areas shall be repaired and seeded with PennDOT Formula D seed mixture in accordance with PennDOT Chapter 13, at no additional compensation.

METHOD OF MEASUREMENT

162-4.1 Chain-link fence will be measured for payment by the linear foot Measurement will be along the top of the fence from center to center of end posts

162-4.2 Addition of barbed wire to the existing fence will be measured for payment by the linear foot. Measurement will be made along the top of fence from center to center of posts.

162-4.3 Replace fence posts will be measured for payment per each fence post installed. Locations of replaced fence posts shall be as directed by Owner.

162-4.4 Clearing of existing fence will be measured for payment by lump sum. Location shall be as directed by Owner as indicated on pre-bid field visit.

BASIS OF PAYMENT

162-5.1 Payment for chain-link fence will be made at the contract unit price per linear foot. Work includes: removal of existing fence including posts, installation of new fence including posts, braces, fabric, barbed wire, and grounding. The price shall be full compensation for furnishing all materials, and for all preparation, erection, and installation of these materials, and for all labor, equipment, tools, and incidentals necessary to complete the item.

162-5.2 Payment for addition of barbed wire to existing fence will be made at the contract unit price per linear foot. Work shall include the installation of barbed wire arms on new or existing fence posts and installation of barbed wire as detailed on the attached sketch, including the removal of any post caps and the retrofitting of existing posts to accept the barb wire arms. Additionally, the work includes the removal of old and installation of new top tension wire. Work can be completed from either side of fence however, where adjacent property is a homeowner or business install shall be completed from Airport side of fence. The price shall be full compensation for furnishing all materials, and for all preparation, erection, and installation of these materials, and for all labor, equipment, tools, and incidentals necessary to complete the item.

162-5.3 Payment for replace fence posts will be made at the contract unit price per each. Work shall include the removal of or cutting of existing fence posts and the installation of new fence post with fence secured. The price shall be full compensation for furnishing all materials, and for all preparation, erection, and installation of these materials, and for all labor, equipment, tools, and incidentals necessary to complete the item.

162-5.4 Payment for clearing of existing fence will be made at the contract unit price per lump sum. The price shall be full compensation for furnishing all materials, and for all preparation, erection, and installation of these materials, and for all labor, equipment, tools, and incidentals necessary to complete the item.

Payment will be made under:

- Item F-162-5.1** Chain-Link Fence - per linear foot
- Item F-162-5.2** Addition of Barbed Wire to Existing Fence – per linear foot
- Item F-162-5.3** Replace Fence Posts – per each
- Item F-162-5.4** Clearing – per lump sum

MATERIAL REQUIREMENTS

ASTM A121	Standard Specification for Metallic-Coated Carbon Steel Barbed Wire
ASTM A123	Standard Specification for Zinc (Hot Dip Galvanized) Coatings on Iron and Steel Products
ASTM A153	Standard Specification for Zinc Coating (Hot-Dip) on Iron and Steel Hardware
ASTM A392	Standard Specification for Zinc-Coated Steel Chain-Link Fence Fabric
ASTM A572	Standard Specification for High-Strength Low-Alloy Columbium-Vanadium Structural Steel
ASTM A653	Standard Specification for Steel Sheet, Zinc-Coated (Galvanized) or Zinc-Iron Alloy-Coated (Galvannealed) by the Hot-Dip Process
ASTM A824	Standard Specification for Metallic-Coated Steel Marcellled Tension Wire for Use With Chain Link Fence
ASTM A1011	Standard Specification for Steel, Sheet and Strip, Hot-Rolled, Carbon, Structural, High-Strength Low-Alloy, High Strength Low Alloy with Improved Formability, and Ultra High Strength
ASTM B221	Standard Specification for Aluminum and Aluminum Alloy Extruded Bars, Rods, Wire, Profiles and Tubes
ASTM B429	Standard Specification for Aluminum-Alloy Extruded Structural Pipe and Tube
ASTM F668	Standard Specification for Polyvinyl Chloride(PVC), Polyolefin and other Organic Polymer Coated Steel Chain-Link Fence Fabric
ASTM F1043	Standard Specification for Strength and Protective Coatings on Steel Industrial Fence Framework
ASTM F1083	Standard Specification for Pipe, Steel, Hot-Dipped Zinc-Coated (Galvanized) Welded, for Fence Structures
FED SPEC RR-F-191/3	Fencing, Wire and Post, Metal (Chain-Link Fence Posts, Top Rails and Braces)
FED SPEC RR-F-191/4	Fencing, Wire and Post, Metal (Chain-Link Fence Accessories)
FAA-STD-019	Lightning and Surge Protection, Grounding, Bonding and Shielding Requirements for Facilities and Electronic Equipment

END OF ITEM F-162



ERIE INTERNATIONAL AIRPORT, TOM RIDGE FIELD SECURITY FENCE UPGRADE PROJECT

Project Description

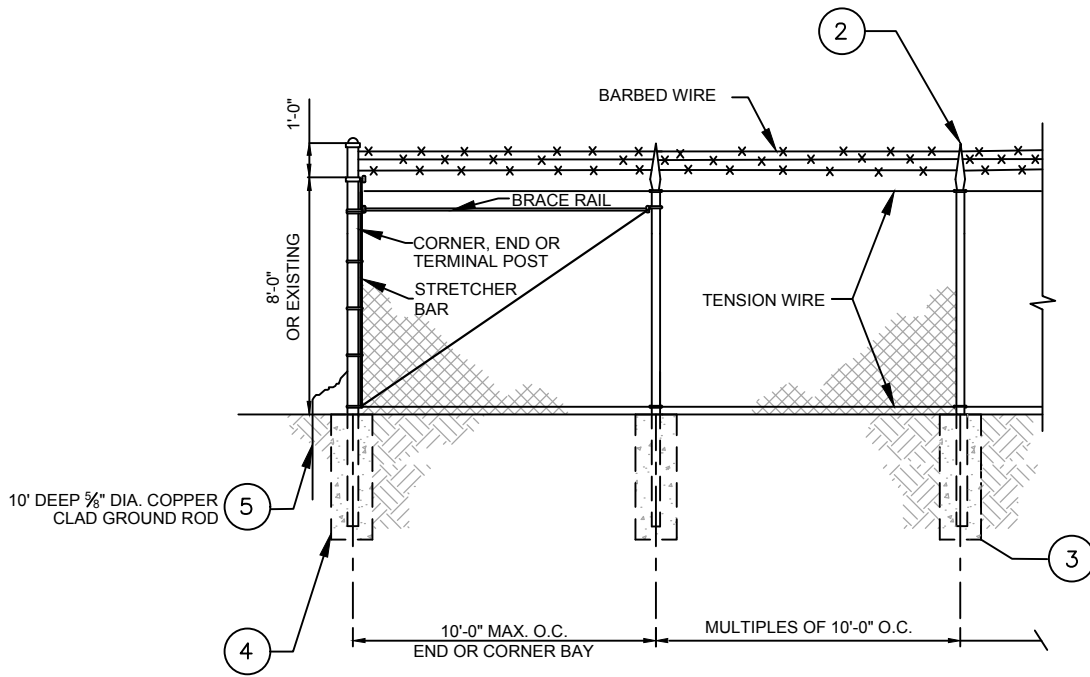
Areas 1, 2, 3, 4, 6, and 7:

- * Replace fence posts as directed by Owner
- * Install barbed wire
- * All work that is adjacent to residential or business property shall take place from Airport property.
- * Clearing of vegetation that interferes with barbed wire installation as directed by Owner.

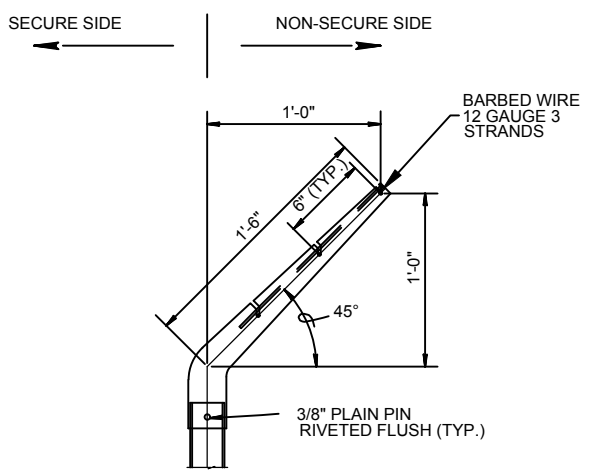
Area 5:

- * Area 5a:
 - * Remove existing fence and install new fence
- * Area 5b:
 - * Replace fence posts as directed by Owner
 - * Install barbed wire
- * Clearing of vegetation that interferes with barbed wire installation as directed by Owner.

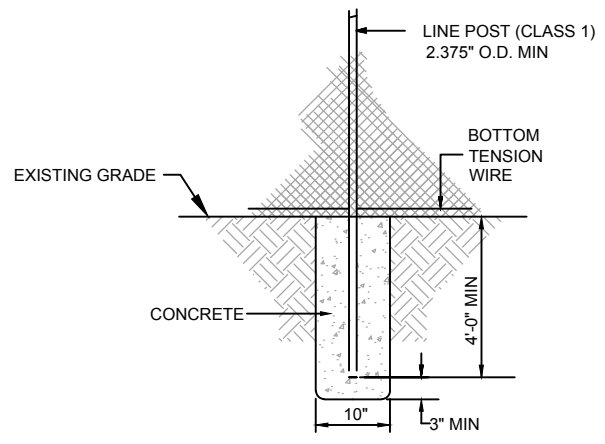
*** Site to be kept secure at all times. At no point in time may any section of the fence be removed without providing the Owner with 24 hours advanced notice. When a gap exists in the fence a bagged person, employed by the Contractor, must continuously guard the area until the site is secured.
 *** Linear feet provided is approximate.



1 ————— **TYPICAL FENCE LAYOUT** —————
NOT TO SCALE



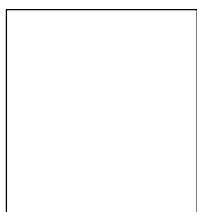
2 ————— **FENCE TOP DETAIL** —————
NOT TO SCALE



3 ————— **TYPICAL LINE POST** —————
NOT TO SCALE

L:\PROJECTS\Erie International Airport\0 - ERIE On-call NTP 2015-07-01\60695 - ERI Fence replacement project - 13\3.0 Design\Drawings\Fencing Exhibit

ERIE INTERNATIONAL AIRPORT
ERIE, PENNSYLVANIA



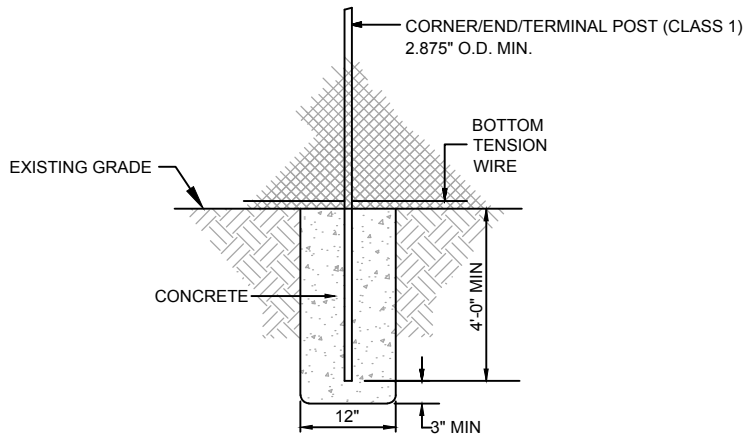
FENCING PROJECT

MISCELLANEOUS DETAILS

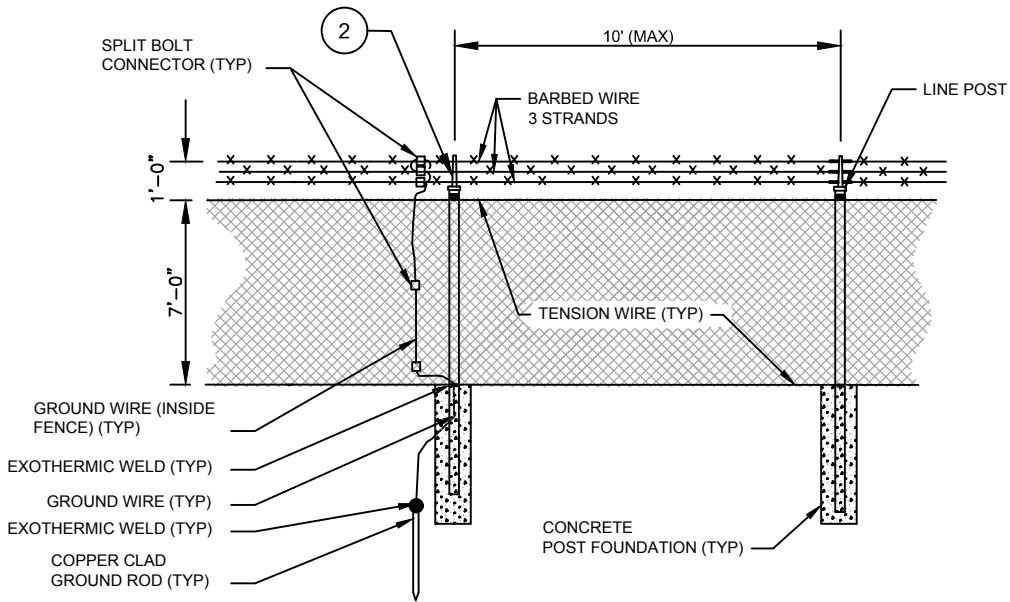
SHEET **1** OF **2**

PROJECT NO: 148946

DATE: OCTOBER 2018



4 TYPICAL CORNER/END/TERMINAL POST
NOT TO SCALE



NOTES

1. GROUND RODS SHALL BE INSTALLED AT EACH END OF NEW FENCE SECTION.
2. ALL UNDERGROUND FENCE GROUNDING CONNECTIONS SHALL BE EXOTHERMIC.
3. BI-METALLIC CONNECTOR SHALL BE TIN-PLATED WITH TIN-PLATED SPACER IN ORDER TO ELIMINATE DISSIMILAR METAL CORROSION.
4. A GROUND ROD SHALL BE INSTALLED AT SPACINGS NO GREATER THAN 500 FEET, AND BONDED TO A FENCE POST WITH A 4/0 AWG STRANDED COPPER CONDUCTOR USING EXOTHERMIC WELDED CONNECTIONS.
5. BOND SECURITY WIRES TO THE FENCE POST AT INTERVALS OF 500 FEET AND AT ALL TERMINATION OF THE SECURITY WIRE. SECURITY WIRE SHALL BE BONDED USING 6 AWG STRANDED TINNED COPPER CONDUCTOR AND UL LISTED BONDING CONNECTORS. ATTACH THE METALLIC FENCE FABRIC TO THE FENCE POSTS WITH WIRE TIES OF THE SAME MATERIAL.

5 FENCE GROUNDING
NOT TO SCALE

L:\PROJECTS\Erie International Airport\0 - ERIE On-call NTP 2015-07-01\60695 - ERI Fence replacement project - 13\3.0 Design\Drawings\Fencing Exhibit

ERIE INTERNATIONAL AIRPORT
ERIE, PENNSYLVANIA

FENCING PROJECT

MISCELLANEOUS DETAILS

PROJECT NO: 148946

SHEET **2** OF **2**

DATE: OCTOBER 2018